



■ Vers. A54

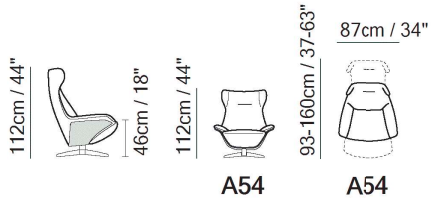


■ Vers. A54








■ Vers. A54

SCHEMATICS



TECHNICAL INFORMATION

	COVERING	Leather <input checked="" type="checkbox"/>	Soft Cover <input checked="" type="checkbox"/>				
	FILLING	Arms	<input type="checkbox"/> Fiber <input checked="" type="checkbox"/> Foam <input type="checkbox"/> Feather/Fiber Mix <input type="checkbox"/> Feather	Seat cushion	<input type="checkbox"/> Fiber <input checked="" type="checkbox"/> Foam <input type="checkbox"/> Feather/Fiber Mix <input type="checkbox"/> Feather	Back cushion	<input type="checkbox"/> Fiber <input checked="" type="checkbox"/> Foam <input type="checkbox"/> Feather/Fiber Mix <input type="checkbox"/> Feather
	COMFORT	Standard Comfort <input checked="" type="checkbox"/>	Firm Comfort <input type="checkbox"/>				
	FUNCTION	Bed <input type="checkbox"/>	Electric motion <input type="checkbox"/>	Motion <input type="checkbox"/>	Recliner <input type="checkbox"/>	Sliding <input type="checkbox"/>	
	LEGS	Upholstered <input type="checkbox"/>	Wood <input type="checkbox"/>	Metal <input checked="" type="checkbox"/>	Plastic <input type="checkbox"/>	Castors <input type="checkbox"/>	

NOTES

- Designed by Mauro Lipparini.
- Date of launch: 2016.
- Available in leather or fabric.
- In leather the model is available starting from cat. 15 (Le Mans).
- Model not available in Misterbianco and Cassidy leathers.
- Model is available with welt in Gros-Grain (3 cm) to be entered as second covering (code 10800004xx)
- Model with integrated rechargeable battery.
- Tight Seat Cushion (the seat cushions of the models are fixed to the frame)
- Tight Back Cushion (the back cushions of the models are fixed to the frame)
- Metal Frame
- With Feet Assembled (the model will be loaded with feet already mounted on the sofa).
- Wooden side panel in finishings 32 (Smoked Oak) / 34 (Aged Walnut) / 35 (Radica Frisé)
- Metal base available in finishing 80 (pewter)

NOTES
